

HLI260

HIGH SECURITY MOTORISED HOOK LOCK



The patented HLI260 is a high torque motor driven hook lock for a sliding door. It can be installed vertically in the door frame (lock style) with the strike plate mounted on the edge of the door.

Alternatively there is a surface mount box for the strike plate and/or lock for a sliding door.

The HLI260 consumes an in-rush current of 290mA@12VDC only during locking and unlocking action (Active Mode), then in the locked or unlocked state (Sleep-Mode), it consumes current less than 15mA@12VDC.

The HLI260 hook lock should not be exposed to wind and weather as it is not IP rated.

We recommend to operate the product in 3-Wire-Mode (See installation manual).

Technical Details

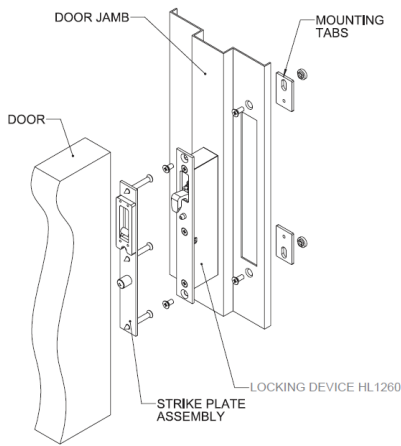
Part No.	HLI260
Approvals	CE/🔒
Function	Mortice Mount, Power To Lock (PTL) / Power To Open (PTO) field interchangeable
Holding Strength	Up to 650kg
Voltage/Current	Multi Voltage 11-30VDC Active Mode: Locking/unlocking cycle current is 0.29A to 0.85A depending on the side load. Sleep-Mode: After locking/unlocking the current drops down to ~0.015A (15mA)
Monitoring	Lock Status Sensor of the internal locking mechanism Door Status Sensor Built-in reed switch, monitoring the door position
Temperature Range	-20° to +60°C
Maximum Door Gap	2mm
Optional Accessory: HLI260-SMK	Surface mount kit for motorised hook lock HLI260 or strike plate (one kit required per item)
Finish	Satin Stainless Steel (SSS)

Product Features

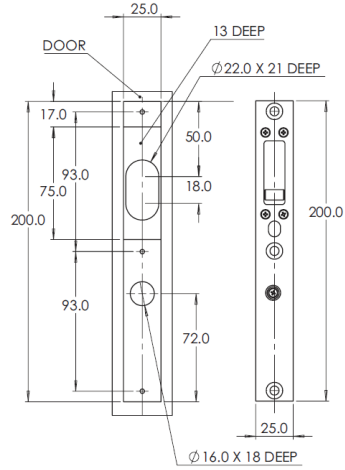
- Motorised locking device
- Durability tested to 400,000 cycles
- Multi Voltage operation 11-30VDC
- Sleep-Mode Current less than 15mA@12VDC
- Fully monitored including reed switch for door position
- Up to 650kg Holding Strength
- 5 year warranty
- Up to 4-hour fire rated in accordance with AS1905.1:2015 (contact Allegion for more details)
- Conforms to S3* (Security) and D3 (Durability) Australian Lock Standard (AS4145.2 : 1993)
- CE/🔒

Product Dimensions and Installation

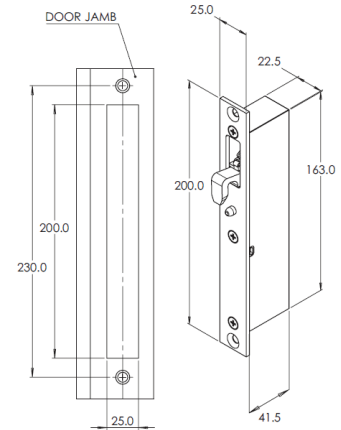
HL1260 Hook Lock Mortise Mount



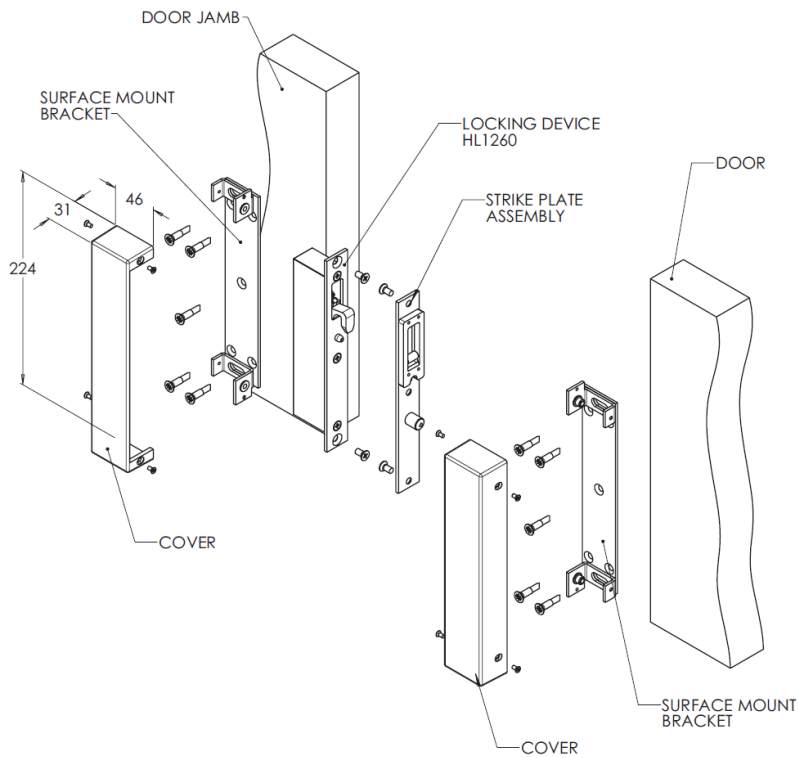
Strike Plate HL1260



Locking Device HL1260



HL1260-SMK Surface Mount Box



Product Code & Accessories

Part No.	Product Description
HL1260	990 ELECT LK VEST F/SECURE LH
HL1260-SMK	990 ELECT LK VEST F/SAFE MONT